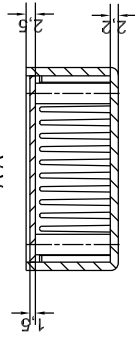
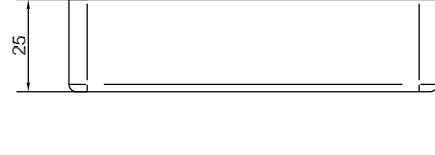
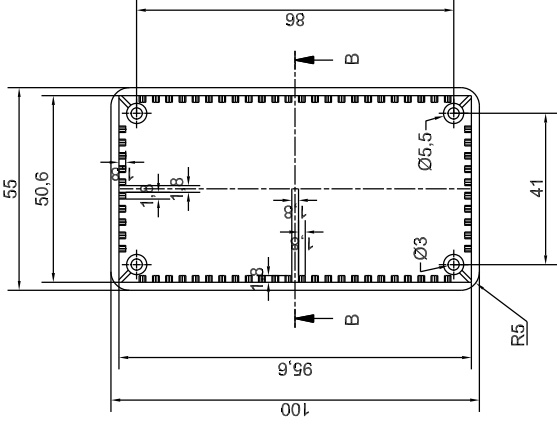
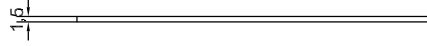
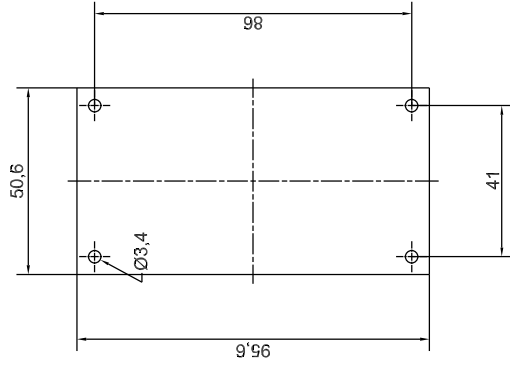
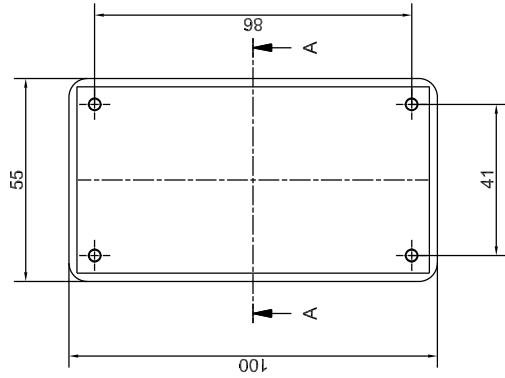
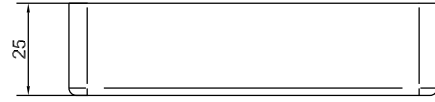
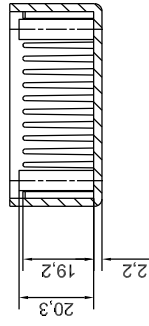


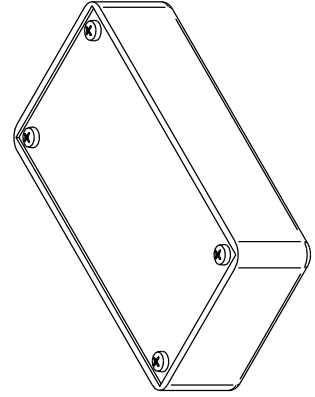
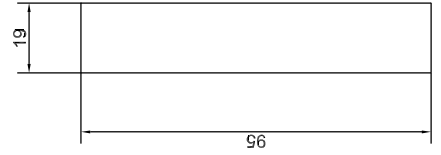
A-A



B-B



PCB MAX SIZE



Designation



Assembly COFFER-A/5

Subject to technical modification without prior notice.
Typographical and other errors do not justify any claim for damages.
All dimensions should be verified using an actual moulded part.

This document contains proprietary information of TEKO S.p.A. and is protected against unauthorized use.
The conditions that this information be retained in confidence may be reproduced or copied and not be used or incorporated in any product.

Part Number

COFFER-A/5

Rev. 0001

Scale

Date

14/12/2005

Form design

AZ